

MAINTENANCE INSTRUCTIONS

RATCHET WRENCH

MODEL MR-2207C 1/4" SQ.

MODEL MR-2209C 3/8" SQ.

TOKU

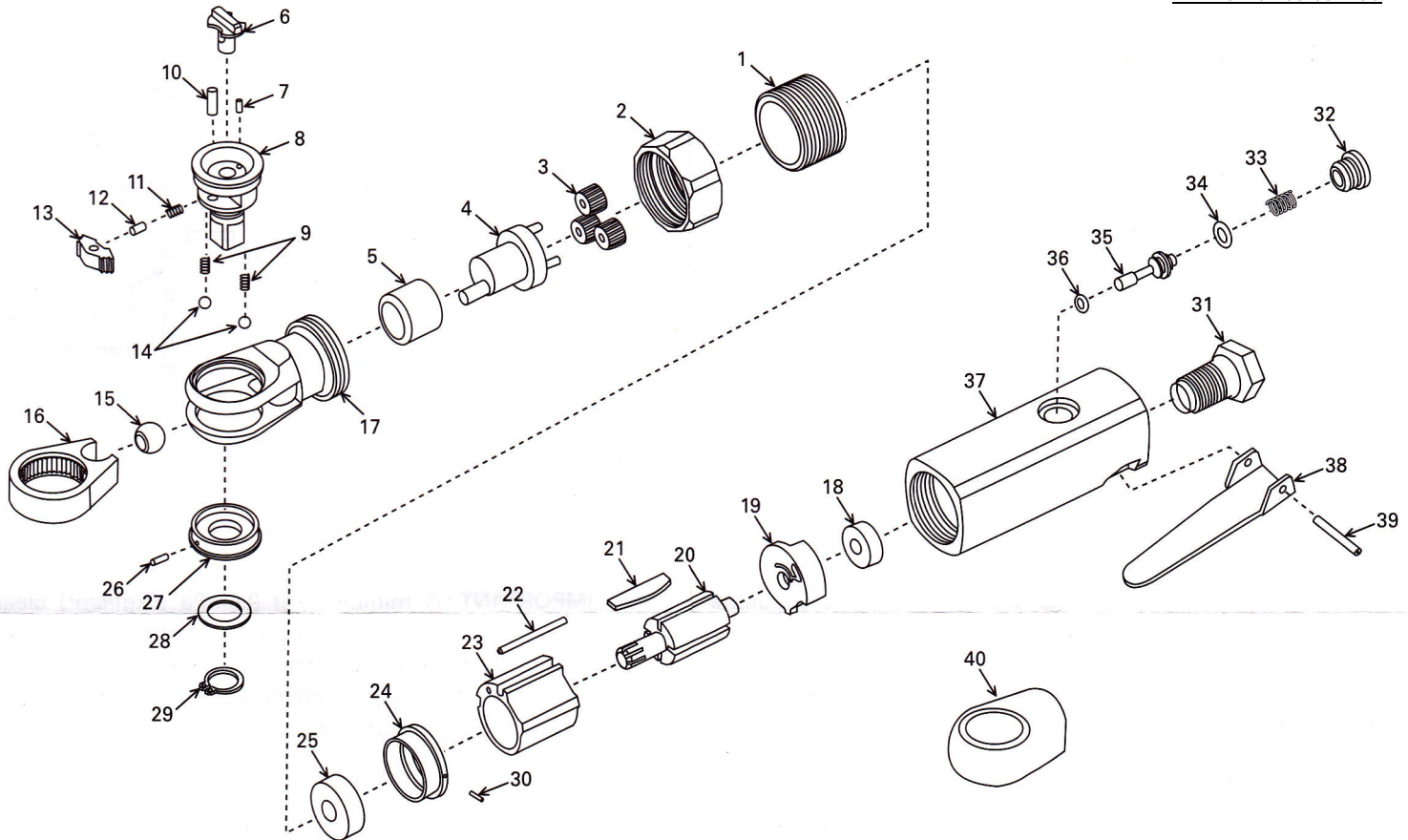


TOKU PNEUMATIC PRODUCTS



www.air-allied.com.au

Exploded View



Sym. No.	Parts No.	Q'ty. No.	Description	Sym. No.	Parts No.	Q'ty. No.	Description
1	T5-04-07-020	1	Internal Gear	21	T5-04-02-120	4	Rotor Blade
2	T5-04-07-390	1	Cramp Nut	22	T5-04-02-130	1	Cylinder Pin
3	T5-04-07-030	3	Idle Gear	23	T5-04-02-150	1	Cylinder
4	T5-04-07-340	1	Crank Shaft	24	T5-04-02-170	1	Front Plate
5	T5-04-07-440	1	Needle Roller Bearing	25	T5-04-02-180	1	Bearing 608ZZ
6	T5-04-07-370	1	Reverse Knob	26	T5-04-07-420	1	Needle Roller 2.0x5.8
7	T5-04-03-400	1	Spring Pin 2x5	27	T5-04-07-360	1	Spacer
8	T5-04-07-380	1	Ratchet Anvil 3/8	28	T5-04-07-410	1	Washer
	T5-04-09-8A0	(1)	Ratchet Anvil 1/4	29	T5-04-07-470	1	Retaining Ring STW-12
9	T5-04-07-090	2	Friction Spring	30	T5-06-97-210	1	PIN 1.2X8
10	T5-04-07-430	1	Needle Roller 3.3x10	31	T5-04-02-430	1	Air Inlet Bushing
11	T5-04-02-320	1	Spring	32	T5-04-02-010	1	Valve Screw
12	T5-04-02-310	1	Lock Pin	33	T5-04-02-030	1	Spring
13	T5-04-02-340	1	Ratchet Pawl	34	T5-04-02-020	1	O-Ring P-8
14	T3-07-06-420	2	Steel Ball (1/8)	35	T5-04-02-050	1	Valve Stem
15	T5-04-07-400	1	Drive Bushing	36	T5-04-02-040	1	O-Ring P-5
16	T5-04-07-330	1	Ratchet Yoke	37	T5-04-02-080	1	Motor Housing
17	T5-04-07-350	1	Ratchet Housing	38	T5-04-02-070	1	Throttle Lever
18	T5-04-02-100	1	Bearing R4ZZ	39	T5-04-02-090	1	Spring Pin 3x24
19	T5-04-02-110	1	Rear Plate	40	T5-04-07-480	1	Cap
20	T5-04-02-140	1	Rotor				